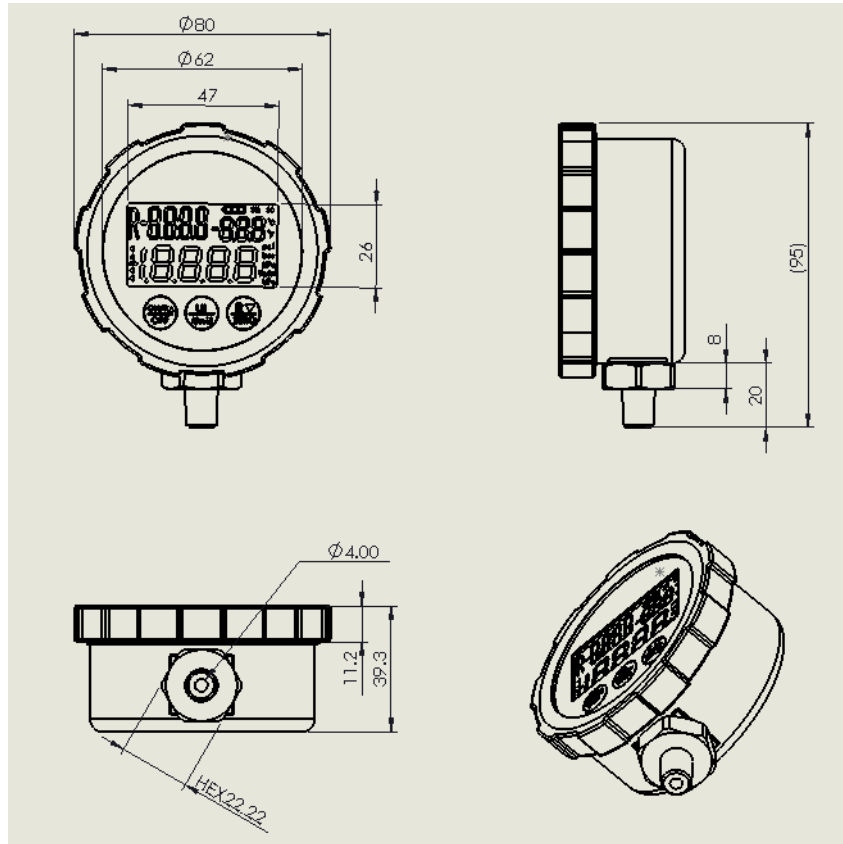


M25-R

2.5inch Refrigerant Pressure Gauge



Specification

Power supply	Battery CR123A (3.0V, 1400mAh)
Battery life	2 years for continuous operation without back light.
Pressure range	-14.5 ~ 750 psi
Pressure accuracy	±0.5% F.S (@22~28°C)
Burst pressure	3x F.S
Resolution	0.1psi / 0.01bar / 0.001MPa / 0.01 Kg/cm ² / 1kPa
Measure fluid	gas and liquid (compatible with SUS304L)
Port	1/8 NPT
Unit(Pressure)	psi , bar , MPa , Kg/cm ² , kPa
Unit (Temperature)	°C/°F
Working temperature	-10°C~60°C
Working humidity	35~85%
Auto- off	10 minutes